

# SUPER FAST-CLEAN



- Compatible with all Airless guns
- Rapid replacement of working nozzle
- Rapid safe cleaning
- Maximum working pressure 350 bar (5075 psi)
- Long lasting carbon-tungsten insert

## PISTON GUNSTOCK FILTERS

- |                           |              |
|---------------------------|--------------|
| Cod. 11039: Green (30M)   | upon request |
| Cod. 11038: White (60M)   | supplied     |
| Cod. 11037: Yellow (100M) | supplied     |
| Cod. 11019: Red (200M)    | supplied     |



**NOTE:** the filter choice depends on the type of machine and of the product to be sprayed.

©Copyright, SAMOA INDUSTRIAL, S.A.

SAMOA Industrial, S.A. is an ISO 9001, ISO 14001 and ISO 45001 certified company.



**Contact us today!**

Visit [www.samoaindustrial.com](http://www.samoaindustrial.com) for more information.



*Cod. nozzle-angle	Ø inch	Ø mm	Filter recom.
SFC07-20	0,007"	0,18	Red 200 M
SFC07-40			
SFC09-20	0,009"	0,23	Yellow 100 M
SFC09-40			
SFC11-20	0,011"	0,28	
SFC11-40			
SFC13-20	0,013"	0,33	
SFC13-40			
SFC13-60			
SFC15-20	0,015"	0,38	
SFC15-40			
SFC15-60			
SFC17-20	0,017"	0,43	White 60 M
SFC17-40			
SFC17-60			
SFC19-20	0,019"	0,48	
SFC19-40			
SFC19-60			
SFC21-20	0,021"	0,53	
SFC21-40			
SFC21-60			
SFC23-20	0,023"	0,58	
SFC23-40			
SFC23-60			
SFC25-20	0,025"	0,63	
SFC25-40			
SFC25-60			
SFC27-20			
SFC27-40	0,027"	0,68	
SFC27-60			
SFC27-80			
SFC29-20			
SFC29-40	0,029"	0,74	
SFC29-60			
SFC29-80			
SFC31-40			
SFC31-60	0,031"	0,79	
SFC31-80			

\* The nozzle code includes the gasket code 18280

INSTRUCTION MANUAL

REV. 03 - 02/2024

Manuale Cod. 150109



LEADING THROUGH INNOVATION

EN



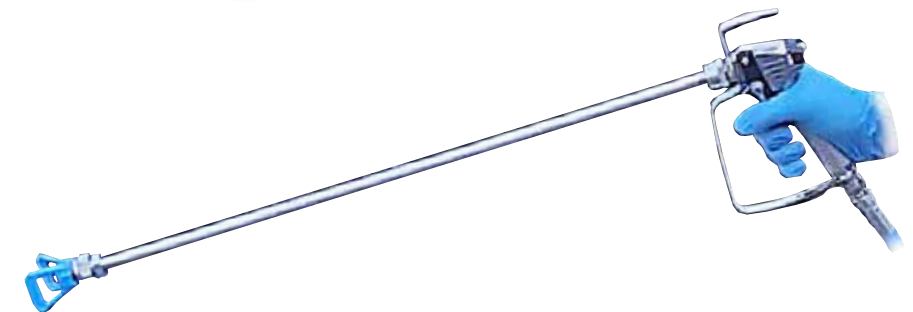
[www.larius.com](http://www.larius.com)

## AT250 AIRLESS GUN FOR SANITATION

Professional gun at high pressure  
With Super Fast-Clean device



The spraying of high-pressure liquids with the AT250 GUN gun allows treating large surfaces with sanitizing agents, thus reducing the presence of bacteria, fungi and viruses.



Cod. SE9050 attack BSPP 1/4" nozzle SFC 13-60  
Cod. SE9050/1 attack BSPP 1/4" nozzle TSC 90-40

IT [https://www.larius.com/wp-content/uploads/AT250\\_SANIFICAZIONE\\_I.pdf](https://www.larius.com/wp-content/uploads/AT250_SANIFICAZIONE_I.pdf)

EN [https://www.larius.com/wp-content/uploads/AT250\\_SANIFICAZIONE\\_GB.pdf](https://www.larius.com/wp-content/uploads/AT250_SANIFICAZIONE_GB.pdf)

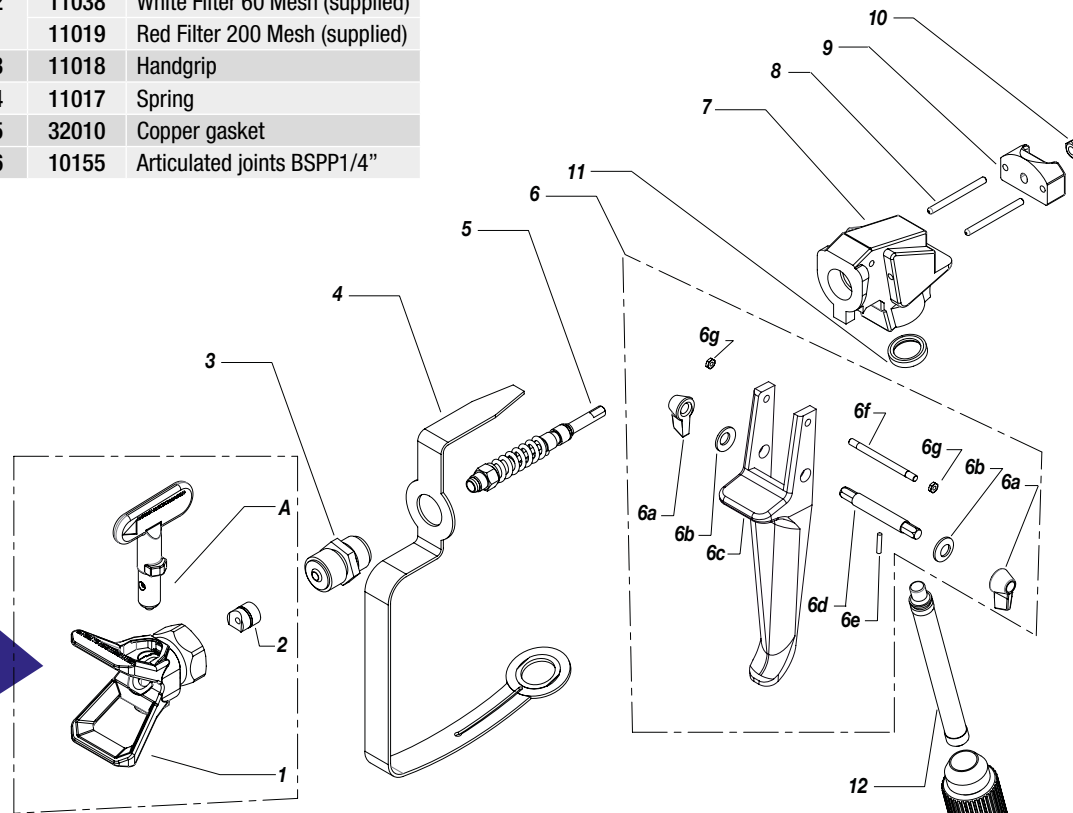


# AT250 AIRLESS GUN FOR SANITATION

at high pressure

Pos.	Code	Description
A	See table*	Nozzle Super Fast Clean
1	18270	Body Super Fast Clean
2	18280	Gasket Super Fast Clean
3	11004	Sleeve
4	11006	Safety for hand
5	11203	Complete linkage
6	11008	Complete trigger
6a	11010	Safety lever
6b	11011	Brake washer
6c	11014	Trigger
6d	11012	Pin
6e	11013	Spinet
6f	11034	Pin
6g	11027	Nut M3
7	11206	Gun body
8	11207	Spinet
9	11208	Plate
10	11209	Self-locking nut M5

Pos.	Code	Description
11	11020	Gasket
	11037	Yellow Filter 100 Mesh (mounted)
12	11038	White Filter 60 Mesh (supplied)
	11019	Red Filter 200 Mesh (supplied)
13	11018	Handgrip
14	11017	Spring
15	32010	Copper gasket
16	10155	Articulated joints BSPP1/4"



- NEVER place your hands or fingers in front of the nozzle
- NEVER point the gun at yourself or anyone else
- Discharge the pressure in the gun and use the appropriate safety precautions when the operator is not working
- DO NOT cut or tamper with the safety mechanisms on the device.

For coarsely pigmented or high viscosity materials, we recommend the use of a nozzle of min. 0.018" diameter and a 60 Mesh filter (12).

For fine, thin-flowing materials, use a filter of 200 Mesh. Filters (12) can be best cleaned with a brush dipped in solvent. Never poke it with a sharp instrument. Filter cleaning: Unscrew the handle (13) from the gun housing (if necessary, use gun spanner and pull out the filter (12) completely). Insert the new filter as indicated in the drawing.

### NOTE

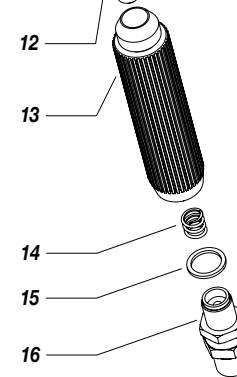
**A** supplied as standard with measure SFC -13-60.  
(The nozzle code includes the gasket  
Rif.18280 see position 2)

### FLUIDS

Diluted solutions of the most common disinfectants:

- Sodium hypochlorite (bleach) 1% max
- Peracetic acid (cleaning vinegar) 1% max.
- Hydrogen peroxide
- Quaternary ammonium compounds (ammonia) 5% max.
- Ethanol and other alcoholic compounds <sup>(1)</sup>

<sup>(1)</sup>: Use only with ATEX certified pumps if the composition makes the liquid flammable



Max operating pressure 250 bar

### Accessories

High pressure tubes (upon request)

- Mod.18024 Length 15 m
- Mod.18024/20 Length 20 m
- Mod.18024/25 Length 25 m
- Mod.18024/30 Length 30 m



Extension gun (upon request)

- Mod.155 Length 60 cm
- Mod.156 Length 100 cm

